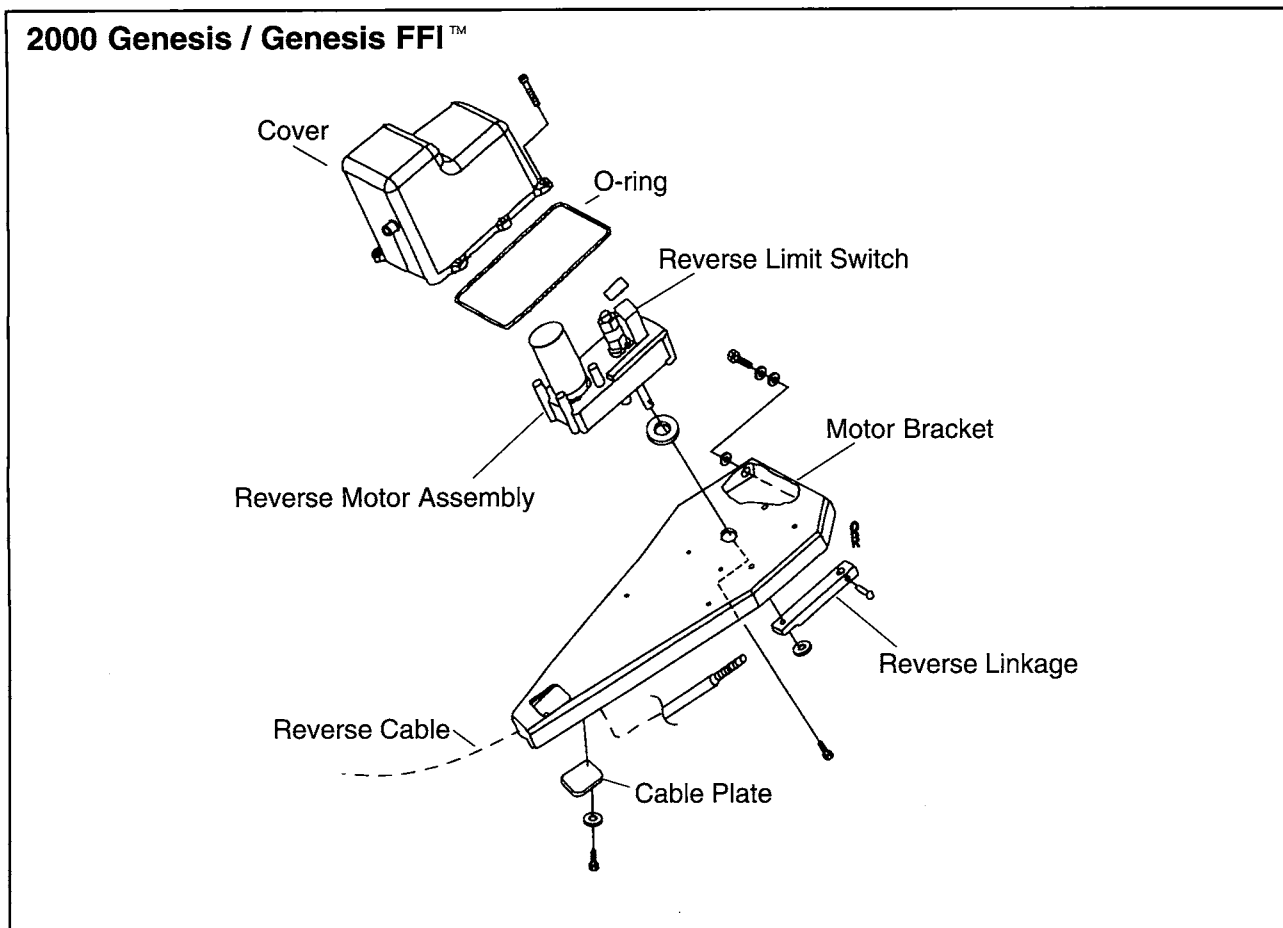


ELECTRICAL Polaris Electronic Reverse Control (PERC)



The Genesis watercraft feature an electric reverse gate system designed to make changing direction of travel easier for the operator. A simulated “neutral” gear is possible by positioning the reverse gate half way down. Engine power is limited for safety when the reverse gate is not in the full up or forward position.

The electric reverse system has components located in 4 areas of the watercraft; (1) Forward/Reverse switches on the handlebar, (2) Reverse motor and control switches inside the hull, (3) Reverse gate at the jet pump nozzle, (4) Graphic display in the MFI depicting reverse gate position.

1. Forward/Reverse switches on the handlebar control the up and down movement of the reverse gate. Think of these switches as polarity switches for the reverse motor.
2. The reverse motor is a DC motor that can run either direction depending upon the polarity of the DC voltage supplied to the motor. The reverse motor is mounted to a reduction gear box that drives a cable which raises or lowers the reverse gate.
3. The reverse gate, when deployed, directs pump thrust to enable the craft to move in reverse.
4. The graphic display depicts the reverse gate position. Placing the reverse gate midway between forward and reverse will place the craft in a simulated “neutral” gear.