



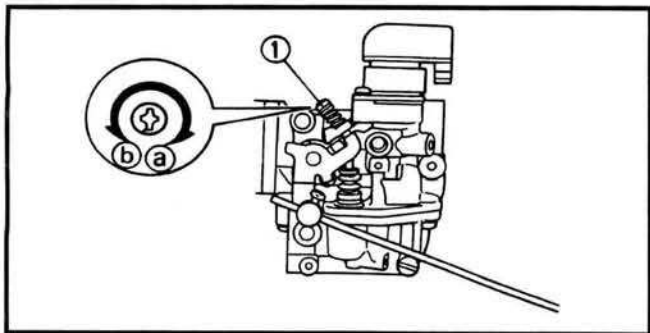
**Idle speed adjustment**

1. Measure:
  - Idle speed

Out of specification → Adjust.

	<b>Idle speed:</b> <b>925 ± 50 r/min</b>
<b>Measuring steps:</b>	
<ul style="list-style-type: none"> <li>● Start the engine and allow it to warm up for a few minutes.</li> <li>● Attach the tachometer to cylinder #1's spark plug lead.</li> </ul>	
	<b>Tachometer:</b> <b>YU-08036-A/90890-06760</b>

**3**



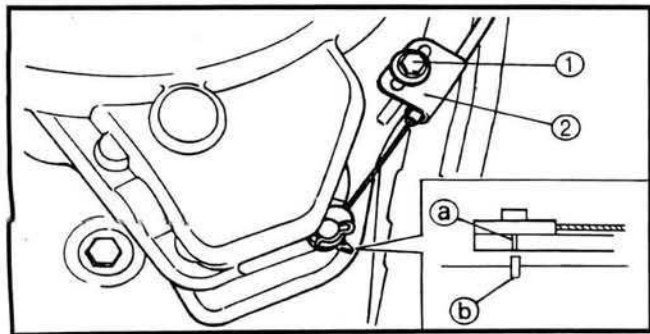
2. Adjust:
  - Idle speed

<b>Adjustment steps:</b>	
<ul style="list-style-type: none"> <li>● Turn the throttle stop screw ① in direction ① or ② until the specified idle speed is obtained.</li> </ul>	
<b>Direction ①</b>	<b>Idle speed increases.</b>
<b>Direction ②</b>	<b>Idle speed decreases.</b>

**Start-in-gear protection device adjustment**

1. Check:
  - Start-in-gear protection device operation

Incorrect → Adjust.
2. Adjust:
  - Start-in-gear protection wire



<b>Adjusting steps:</b>	
<ul style="list-style-type: none"> <li>● Set the shift lever in the neutral position.</li> <li>● Loosen the screw ①.</li> <li>● Move the adjusting plate ② until the point ① on the wire connector aligns with the mark ② in the flywheel cover.</li> <li>● Tighten the screw.</li> </ul>	