

LUBRICATION POINTS

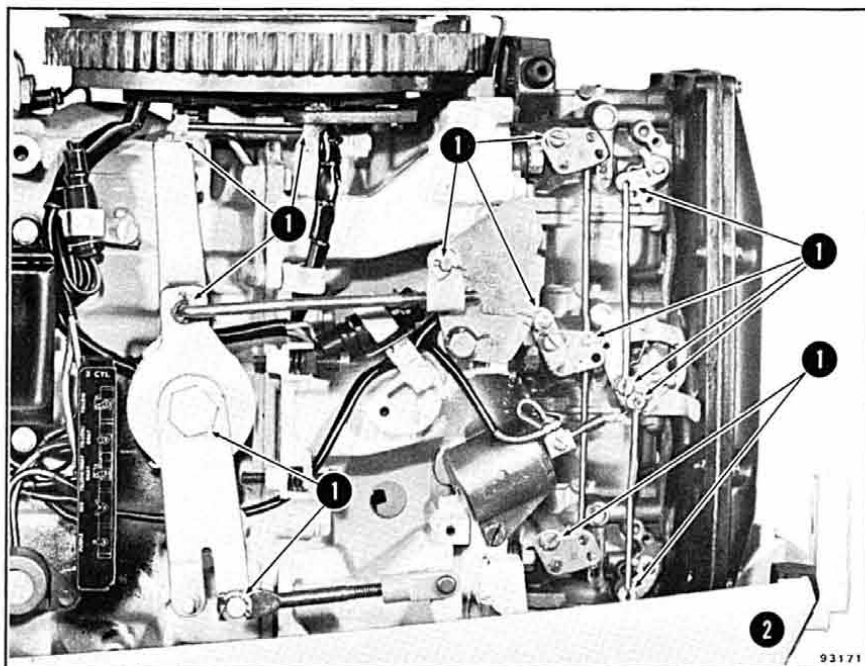


Figure 2-2. Shift, Throttle, Carburetor, Choke Linkages and Springs; Front Cover Latch; Throttle Cam and Roller Shaft (Starboard Side)

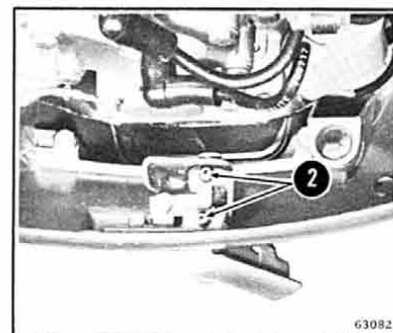


Figure 2-3. Motor Cover Lever Shaft

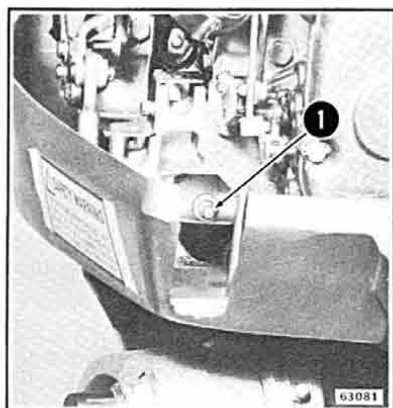


Figure 2-4. Shift Lever Shaft (Starboard Side)

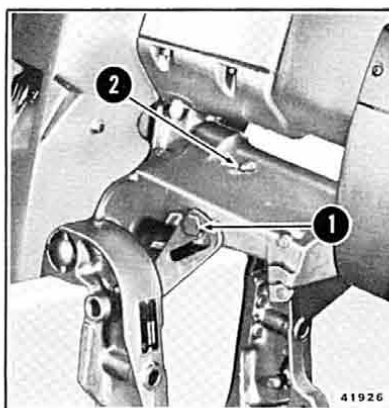


Figure 2-5. Swivel Bracket and Tilt Lock Lever (Port Side)*

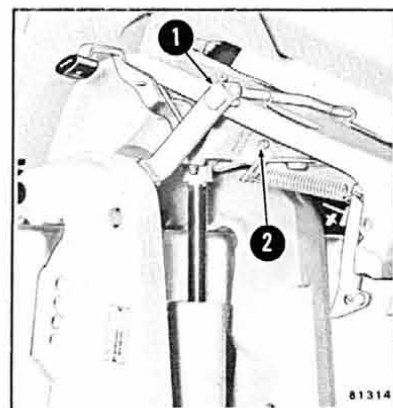


Figure 2-6. Swivel Bracket and Tilt Lock

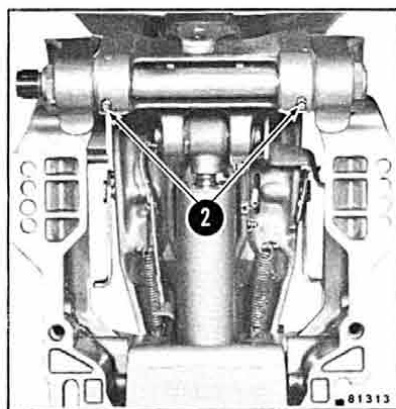


Figure 2-7. Tilt Tube

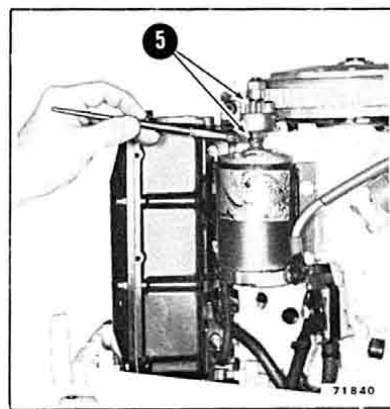


Figure 2-8. Starter Pinion Gear