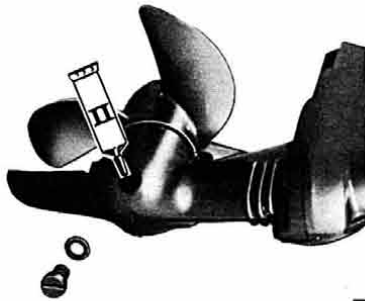
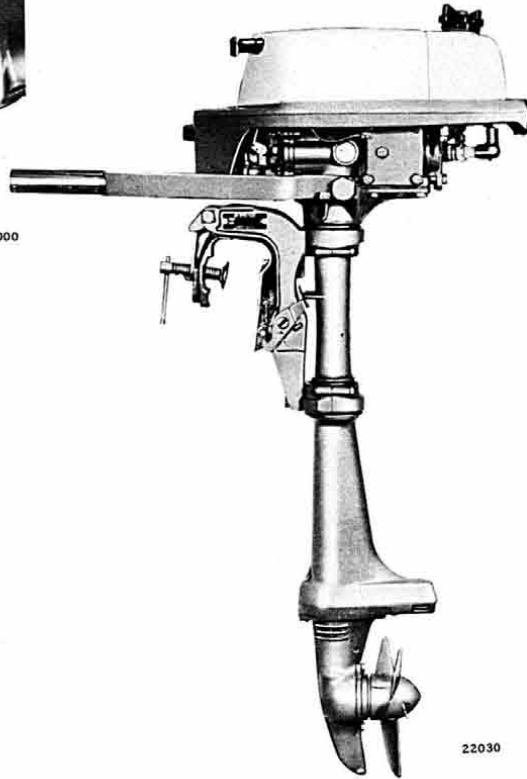


LUBRICATION POINTS



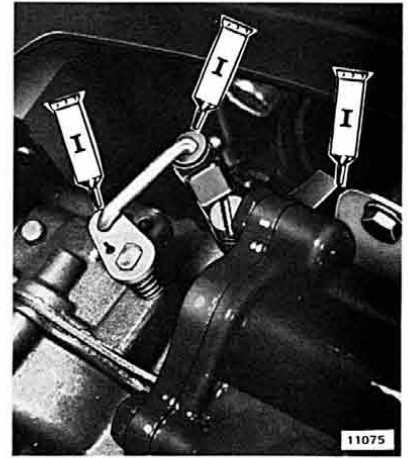
21000

Figure 2-2. Gearcase Lubrication



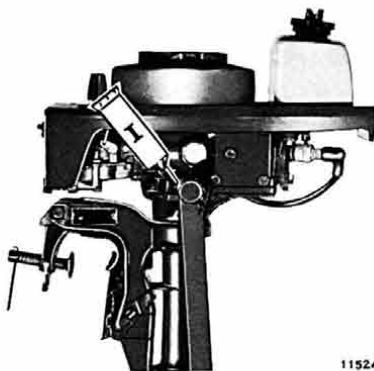
22030

Figure 2-1. Port Side



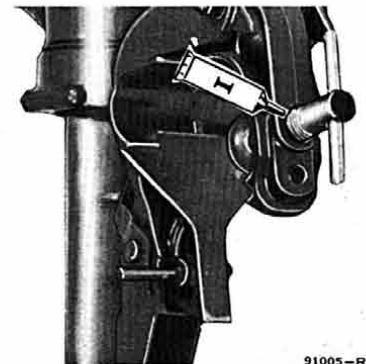
11075

Figure 2-4. Throttle Cam and Carburetor Linkage Lubrication



11524

Figure 2-3. Steering Handle Lubrication



91005-R1

Figure 2-5. Clamp Screw Lubrication