

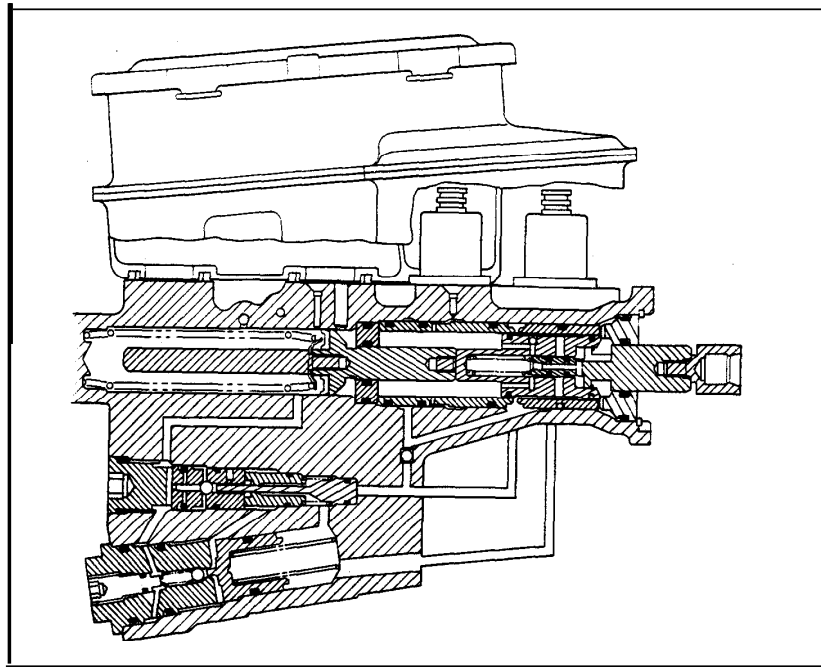
www.emanuelpro.com



# SERVICE NOTES

## Section JF Esprit '91-'95 M.Y.

### Braking System with Delco Moraine ABS IIIA



**LOTUSCARSLTD**

Norwich, Norfolk, England NR14 8EZ Telephone (01953) 608000 Telefax (01953) 608300