

WELD LOCATIONS (Continued)

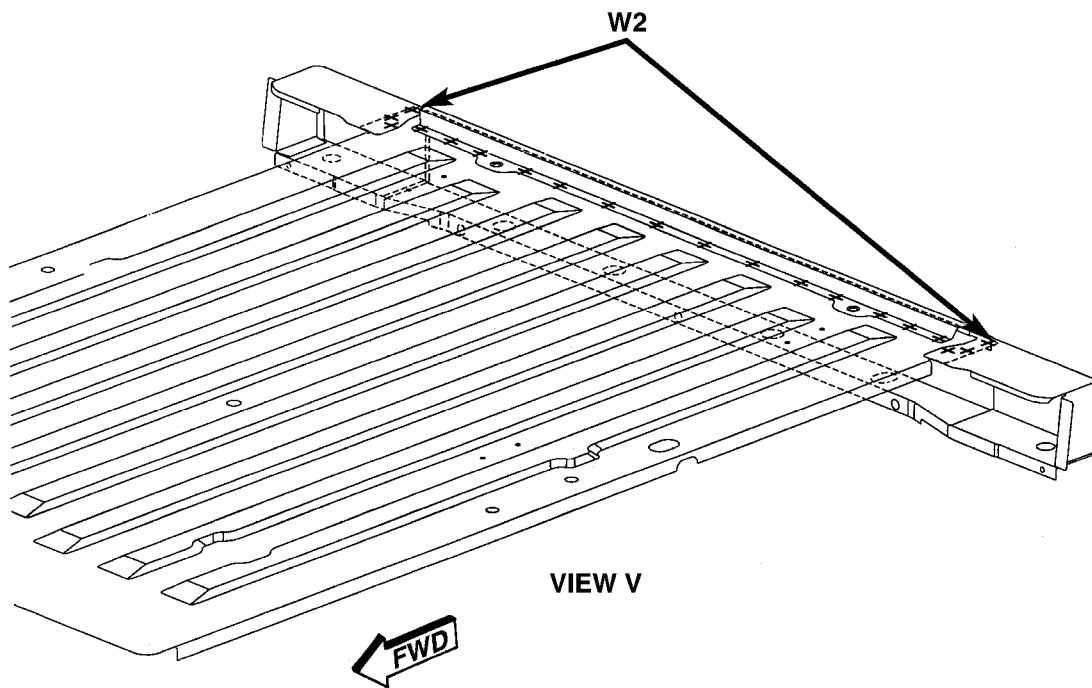
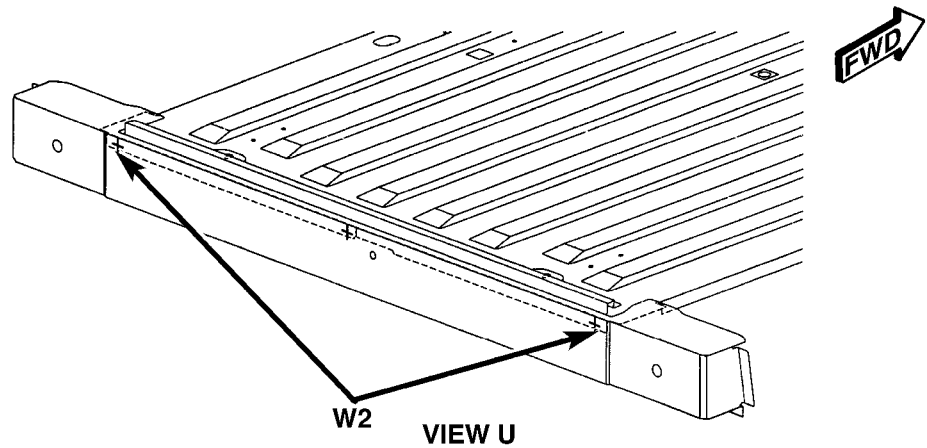
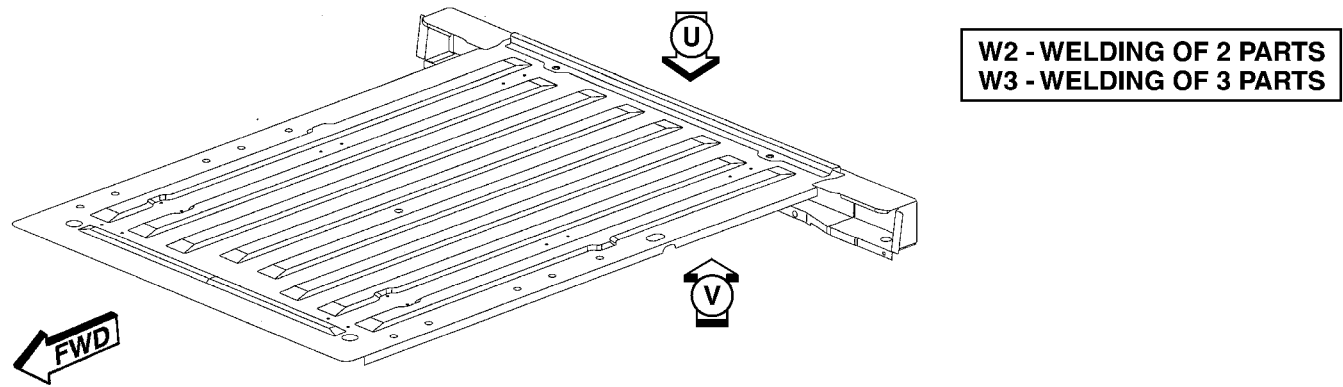


Fig. 80 REAR FLOOR LWB (3 OF 3)

813b436b