

2008 Honda Civic EX

2006-08 STEERING Hydraulic Power Steering Components - Civic (All Except Hybrid)

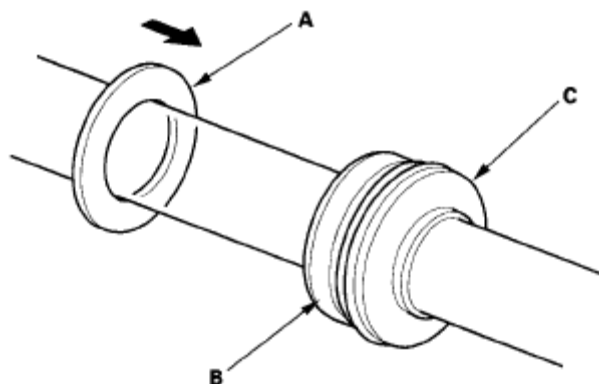


Fig. 100: Identifying Backup Ring And Cylinder End Seal

61. Apply steering grease to the steering rack teeth, then insert the steering rack into the gearbox housing. Be careful not to damage the inner surface of the cylinder wall with the rack edges.

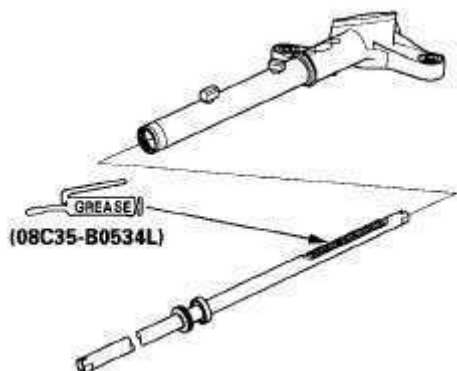


Fig. 101: Identifying Area Applying Steering Grease To Steering Rack Teeth

62. Insert an appropriate size deep socket wrench (A) onto the steering rack as shown.