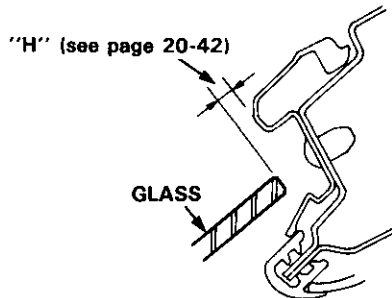


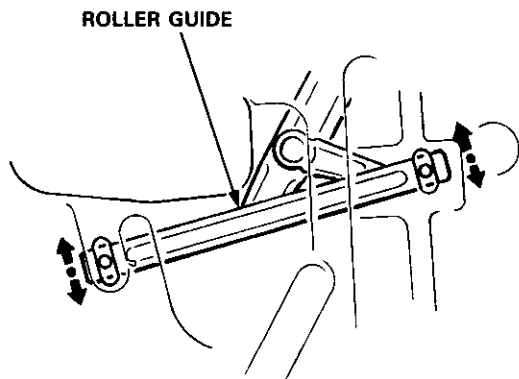
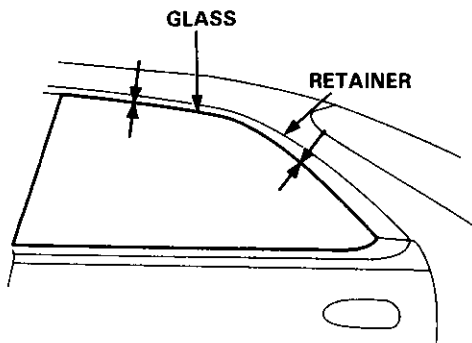


Rear Door:

13. Adjust clearance "H" as follows.

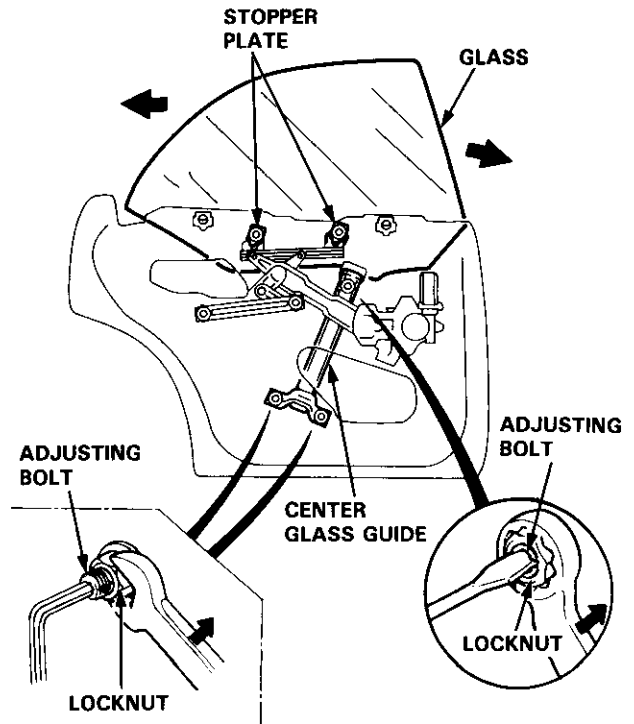


- 1 Loosen the nut securing the stopper plates.
- 2 Loosen the nut securing the roller guide, and move the guide up or down to align the glass with the body at the rear and center pillars.



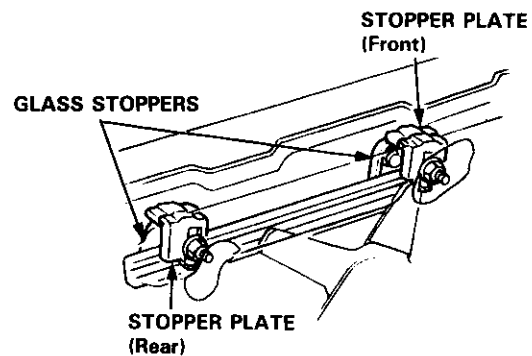
- 3 Loosen the locknuts securing the center glass guide, and adjust the glass fore and aft by moving the center glass guide.

NOTE: Hold the adjusting bolts with a hex wrench or flat tip screwdriver when loosening the locknuts.



- 4 Repeat steps - 2 and - 3 until clearance "H" is within the specified limits, then fasten the center glass guide and roller guide. Press the stopper plates against the glass stoppers, then fasten the stopper plates.

NOTE: Check that the stopper plates contact the glass stoppers evenly.



(cont'd)