

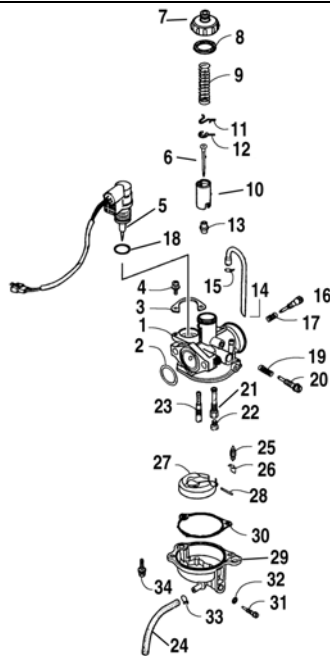
Carburetor Specifications

ITEM	
Type	Keihin PTE
Main Jet	80
Slow Jet	40
Pilot Screw Setting (turns)	1 3/8
Needle Jet	3.4/2.5
Jet Needle	NGRA-3
Idle RPM	1700
Needle Valve/Seat	1.6
Float Arm Height	10.2 mm (0.40 in.)
Throttle Cable Free-Play (at lever)	6.0 mm (0.25 in.)

Carburetor Schematic

KEY

1. Carburetor Body
2. O-Ring
3. Set Plate
4. Screw w/Washer
5. Choke Assembly
6. Jet Needle
7. Carburetor Cap
8. Gasket
9. Throttle Valve Spring
10. Throttle Valve
11. Needle Clip Plate
12. Needle Clip
13. Needle Jet
14. Vent Hose
15. Clip
16. Idle Adjustment Screw
17. Spring
18. O-Ring
19. Spring
20. Pilot Screw
21. Jet Holder
22. Main Jet
23. Slow Jet
24. Float Chamber Drain Hose
25. Needle Valve
26. Clip
27. Float Assembly
28. Float Pin
29. Float Chamber
30. Gasket
31. Drain Screw
32. O-Ring
33. Clip
34. Screw w/Washer



741-045A

Carburetor

⚠ WARNING

Whenever any maintenance or inspection is performed on the fuel system during which there may be fuel leakage, there should be no welding, smoking, open flames, etc., in the area.

REMOVING

1. Turn the fuel valve to the OFF position; then disconnect the gas hose from the carburetor.



CD590

2. Disconnect the float chamber drain hose and the vent hose from the carburetor.
3. Remove the air intake boot.



CD589

4. Remove the cap screws securing the carburetor to the intake manifold; then remove the carburetor.