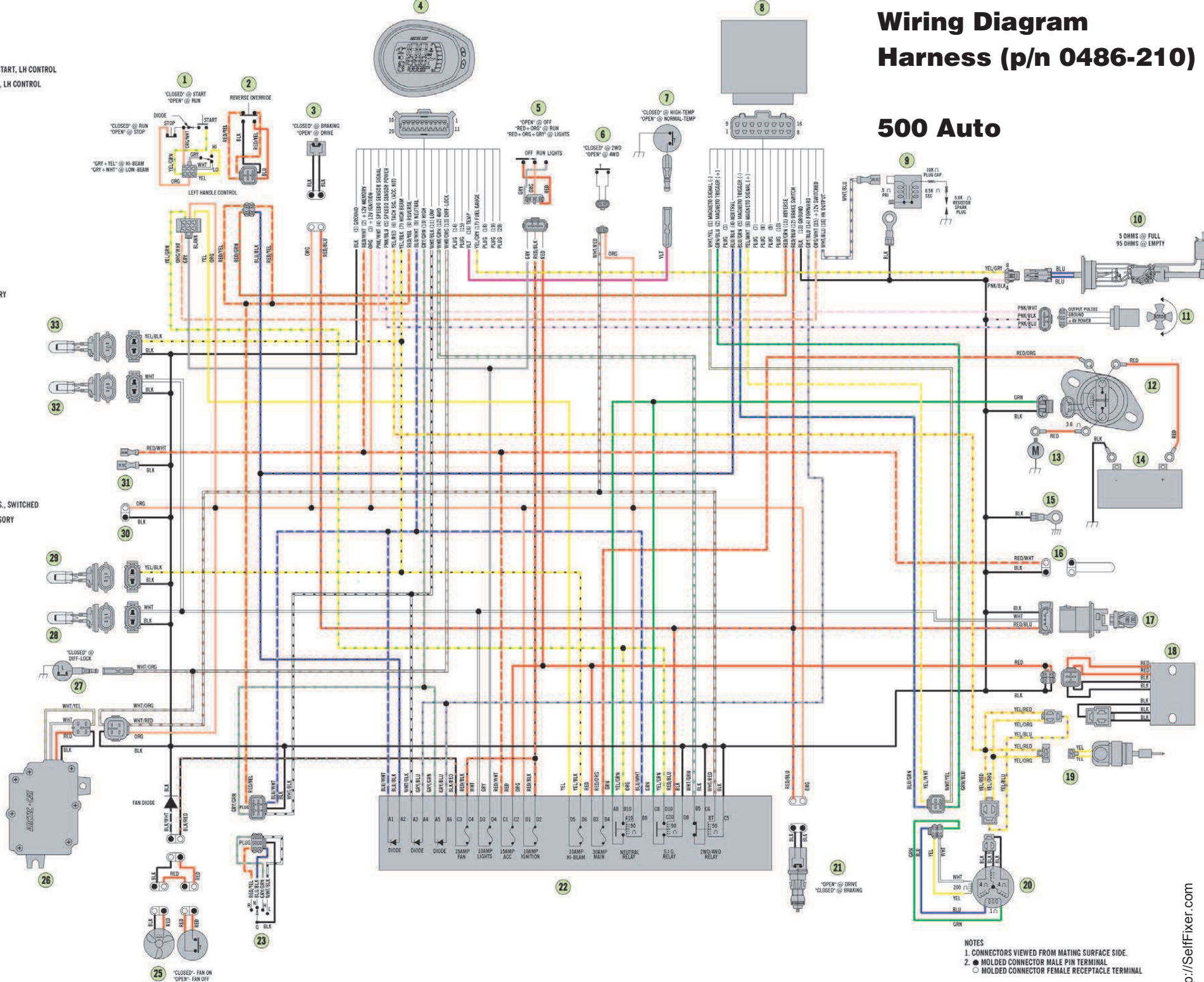


Wiring Diagram Harness (p/n 0486-210)

500 Auto

- 1 SWITCH, EMERGENCY STOP/START, LH CONTROL
- 2 SWITCH, REVERSE OVERRIDE, LH CONTROL
- 3 SWITCH, HAND BRAKE
- 4 GAUGE, LCD
- 5 SWITCH, KEY
- 6 SWITCH, 2WD/4WD
- 7 LIGHT, TEMP. SWITCH
- 8 CDI
- 9 COIL, IGNITION
- 10 SENSOR, FUEL LEVEL
- 11 SENSOR, SPEED
- 12 SOLENOID, STARTER
- 13 BATTERY, 12V
- 14 MOTOR, STARTER
- 15 GROUND, ENGINE/BATTERY
- 16 CONNECTOR, REAR ACCESSORY
- 17 TAILLIGHT
- 18 REGULATOR/RECTIFIER
- 19 CHOKE, ELECTRIC
- 20 MAGNETO
- 21 SWITCH, FOOT BRAKE
- 22 PDM
- 23 SWITCH, GEAR
- 24 SWITCH, TEMP. FAN
- 25 MOTOR, FAN
- 26 ACTUATOR, 2WD/4WD
- 27 SWITCH, 4 WD. DIFF. LOCK
- 28 HEADLIGHT, LOW-BEAM LH
- 29 HEADLIGHT, HIGH-BEAM LH
- 30 CONNECTORS, FRONT ACCESS, SWITCHED
- 31 CONNECTORS, FRONT ACCESSORY
- 32 HEADLIGHT, LOW-BEAM RH
- 33 HEADLIGHT, HIGH-BEAM RH



NOTES
 1. CONNECTORS VIEWED FROM MATING SURFACE SIDE.
 2. ● MOLDED CONNECTOR MALE PIN TERMINAL
 ○ MOLDED CONNECTOR FEMALE RECEPTACLE TERMINAL